

CODE: **INTRE** v.1.0  
 TYPE: **RS485-ETHERNET interface**

EN



#### Features:

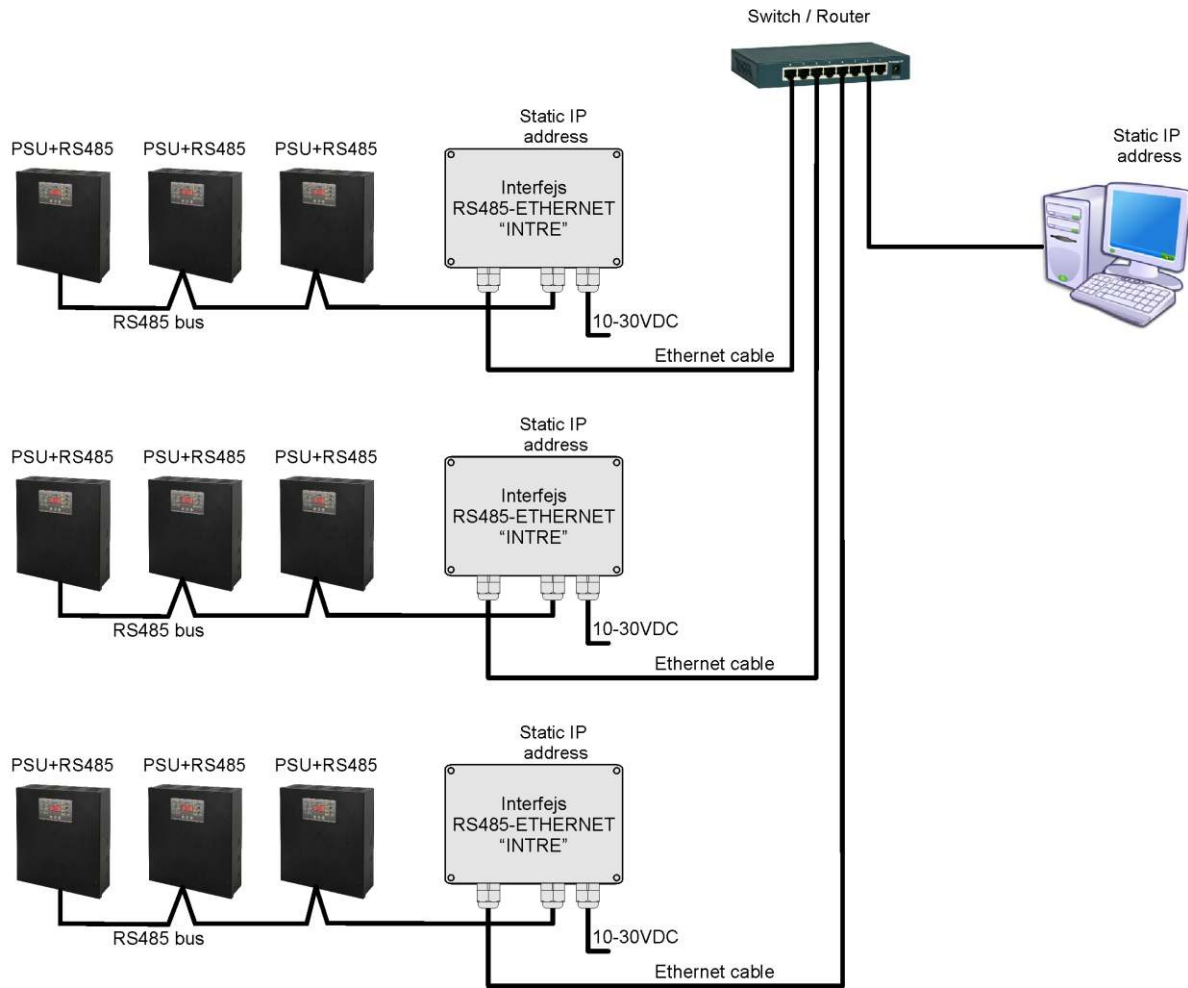
- operating in the ETHERNET network
- compliant with the IEEE 802.3 standard
- physical layer 10/100BaseT
- transmission speed 10/100Mbps (auto-sensing)
- operation mode: full or half-duplex (auto-sensing)
- embedded web server for configuration
- data encryption: DES, 3DES, AES
- operates with numerous popular protocols, e.g. TCP, UDP, DHCP
- assigning a static or dynamic IP address (DHCP server)
- operates in modes: virtual serial port, TCP outlet
- galvanic isolation between the ETHERNET interface and the RS485
- power supply 10 ÷ 30V DC
- works with the PowerSecurity programming software
- LED indication
- hermetic enclosure IP65
- warranty - 5 years from the date of production

#### DESCRIPTION

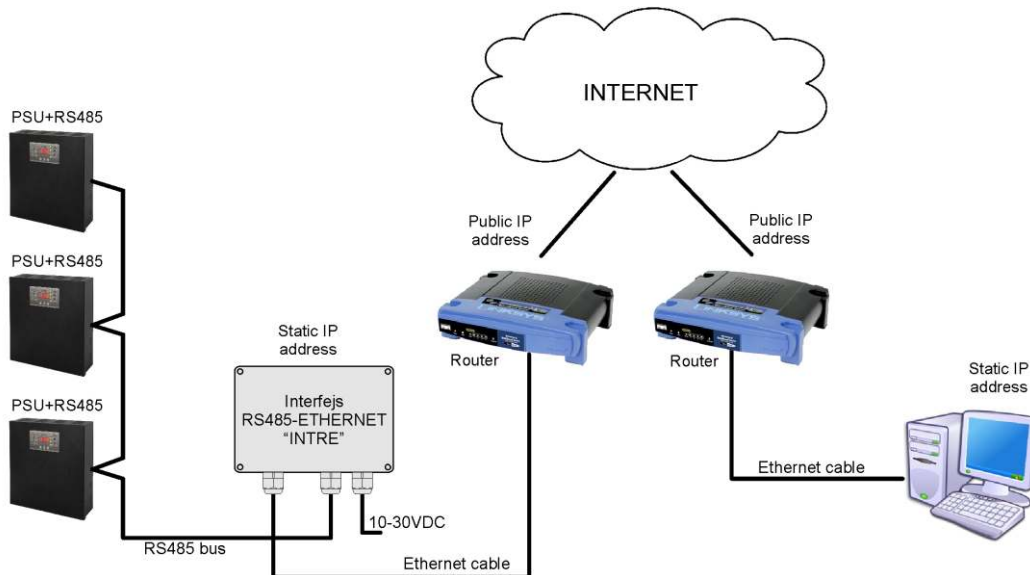
The RS485-ETHERNET interface is a device intended for converting signals between the RS485 bus and the Ethernet network and dedicated for working with power supply units of the PSBEN (Black Power) group connected to LAN/WAN network. To work correctly, the device requires external power supply within the range of 10 ÷ 30V DC e.g. drawn from a PSU of the PSBEN series. The physical connection is safe due to embed galvanic isolation. The device is mounted in a hermetic enclosure that protects it against adverse environmental conditions.

Power supply	10 ÷ 30V DC
Current consumption	85 ÷ 30mA
TTL transmission's speed	19200 bit/s, with parity control
LAN transmission's speed	10/100Mbps (auto-sensing)
Indication (LEDs)	Tx, Rx, PWR
Operating conditions	temperature -10 °C ÷ 40 °C relative humidity 20%...90% without condensation
Dimensions (LxWxH)	121 x 81 x 60 [mm]
Net/gross weight	0,26kg / 0,36kg
Protection grade	IP65
Storage temperature	-20°C...+60°C

A block diagram of communication in LAN.



A block diagram of communication in WAN.



### A block diagram of communication system in the serial bridge mode.

