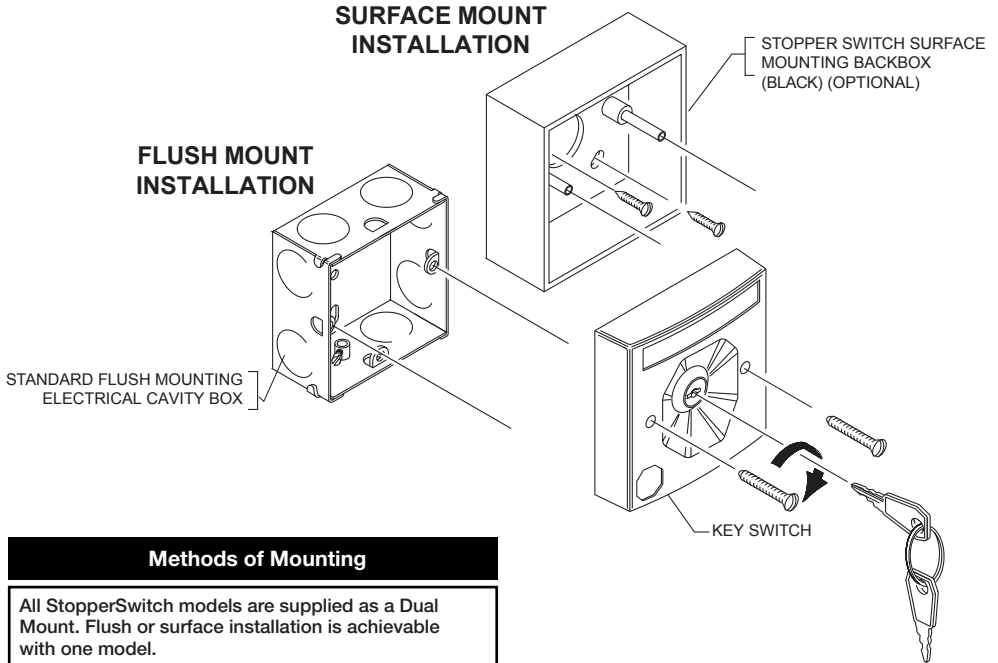


# StopperSwitch SS3000 Series - Key Switches

A highly versatile range of attractive key switches combining unique design, quality and value. Quick and easy to install, these aesthetically appealing, low/high voltage switches fit any standard UK-type switch socket box. · StopperKey models are for applications where casual activation is discouraged. The switch can only be activated with a key.

Key Switches are available in five colours with space for function marking and operating instructions.

A number of standard models are available for quick delivery but enquiries for custom models are welcomed.



## Methods of Mounting

All StopperSwitch models are supplied as a Dual Mount. Flush or surface installation is achievable with one model.

### Flush installations

With the screws provided, fix the cover to a flush mounted electrical cavity box.

### Surface Installations

With the screws provided, fix the back box to the wall and secure the cover.



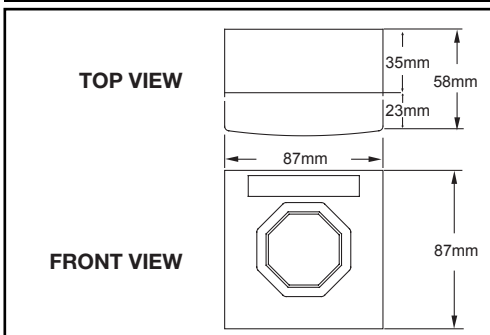
**Need help? Call our Technical Support Team on +44 (0)1527 520 999**

# Installation Data for the StopperSwitch SS3000 Series

## Specifications - Key Switch Models

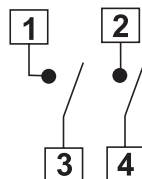
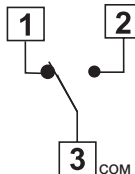
Proof Voltage	>750V DC
Current Carrying Capacity (Non switching)	5A
Contact Rating (Switching Resistive Load)	1A 115VAC 1A 24VDC
Insulation Resistance	>999MΩ
Initial Contact Resistance	<20mΩ
Minimum Operating Life	10,000 cycles
Contact Material	Silver Plated Bass
Terminal Material	Plated Bass
Housing Material	PC/ABS
Terminal Conductor Size	0.5mm to 2.5mm
Operating Temperature	-20°C to +65°C
Colours	Red, Green, Yellow, White & Blue

## Dimensions



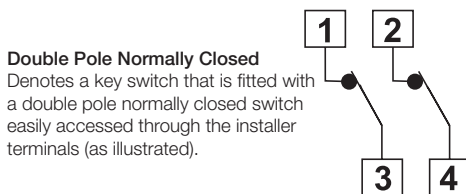
### Single Pole Changeover

Denotes a key switch that is fitted with a single pole changeover switch both the normally open and normally closed contacts are easily accessed through the installer terminals (as illustrated).



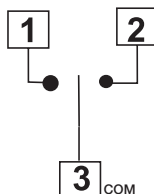
### Double Pole Normally Open

Denotes a key switch that is fitted with a double pole normally open switch easily accessed through the installer terminals (as illustrated).



### Double Pole Normally Closed

Denotes a key switch that is fitted with a double pole normally closed switch easily accessed through the installer terminals (as illustrated).



### 3 Position Key Switch Arrangement

Denotes a 3 position key switch arrangement easily accessed through the installer terminals (as illustrated). Only available if '3 Position Key Switch' Switch Type Option is selected.

NB: Switch arrangements shown with StopperSwitch in standby.



Safety Technology International  
Taylor House, 34 Sherwood Road, Bromsgrove  
Worcestershire, B60 3DR, England  
Telephone: +44 (0) 1527 520 999  
Fax: +44 (0) 1527 501 999  
E mail: info@sti-emea.com Web: www.sti-emea.com

