

Fyreye MkII Addressable Detector Bases

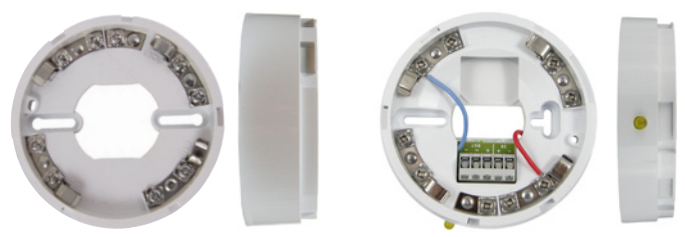
(MKII-CB, MKII-CB/D, MKII-IB, MKII-ISO, MKII-CBI & MKII-CB/DAP)



MKII-CB

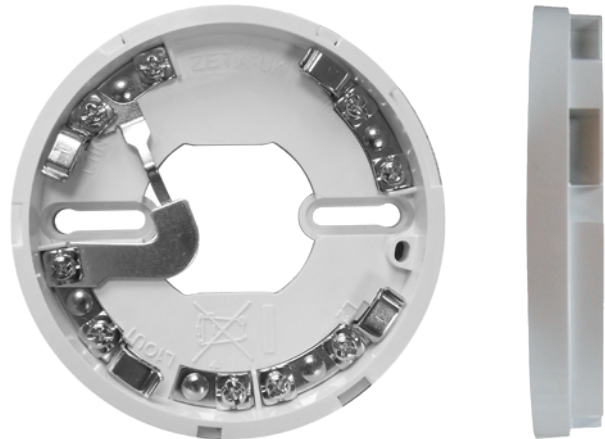
MKII-CB, MKII-CB/D, MKII-IB

The MkII range of detectors can be mounted on 3 different bases, a shallow base (MKII-CB), a deep base (MKII-CB/D) and an isolator base (MKII-IB).



MKII-CB/D

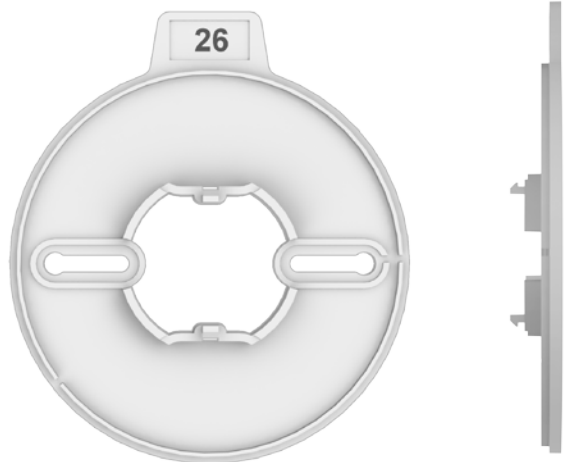
MKII-IB



MKII-CBI

MKII-CBI

Fyreye MKII Addressable Common Base for use with MKII-AOPI, MKII-AHRI, MKII-AHFI & MKII-AOHI

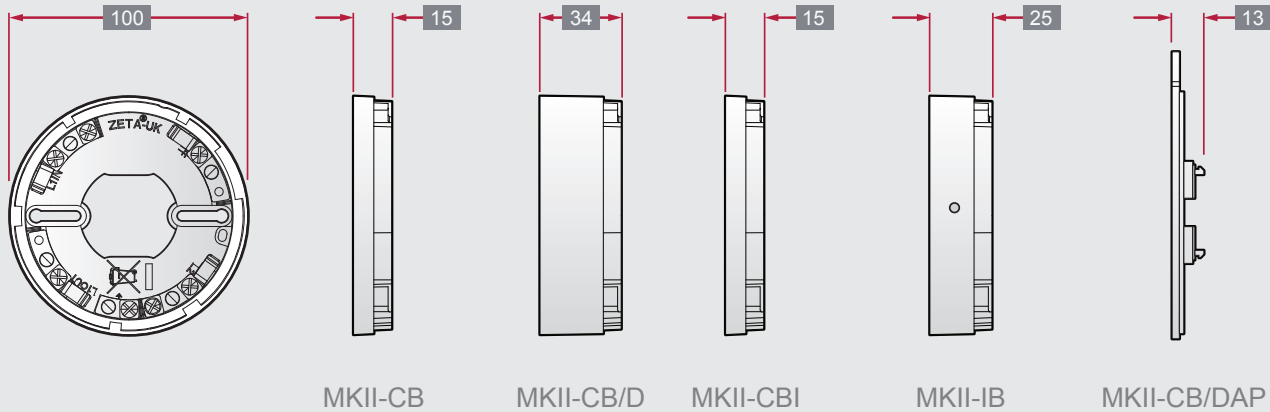


MKII-CB/DAP

MKII-CB/DAP

Also available is a new Detector Address Plate (MKII-CB/DAP) which can be used with the MKII-CB and MKII-CB/D bases. An address label can be fitted to the plate allowing the detector's address to be easily identified.

Dimensions (mm)



Technical Specification

Model	MKII-CB	MKII-CB/D	MKII-CBI	MKII-IB	MKII-ISO	MKII-CB/DAP
Part No.	80-220	80-221	80-230	80-0908	80-0918	80-225
Type	Common base	Common base (Deep)	Common base	Isolator base	Isolator base and cover	Detector Address Plate
Supply Voltage	9-33V DC			17-28V DC		
Quiescent Current @ 24V	0µA			50µA		
Alarm Current @ 24V	0mA			7mA		
Operating Temp.	-20°C to 90°C (non-condensing or icing)					
Max. Wind Speed	Not affected					
Connections	L1in, L1out, L2, -R & Earth			IN+, IN-, OUT+, OUT-		
Size	100 x 15mm	100 x 34mm	100 x 15mm	100 x 25mm	100 x 33mm	100 x 13mm
Weight	48g	60g	48g	85g	90g	17g

The Fyreye MKII Addressable Detector bases are also available in black. To order add suffix /B eg. MKII-CB/B

