

# 24V 6" Fire Alarm Bell

(ZT-BELL/6, ZT-BELL/6/D & ZT-BELL/6/WP)



## Description

Zeta introduces a new 6 " bell with a modern construction including an aluminium gong with high db output and a moderate current consumption.

The new ZT-BELL/6 is available in both indoor and outdoor versions with very stylish termination box to allow access to back box without using special tools.

This new range with its output replaces the need for 8" bell.

## Features

- Permanently fitted gong
- Specifically designed weatherproof back box
- Mounting options for European, Asian and US style installations
- Slick and modern looking
- Aluminium Gong
- Low current consumption
- Made in the United Kingdom

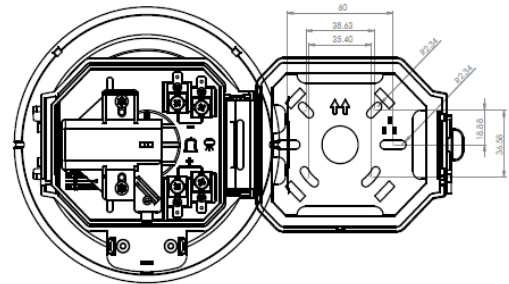
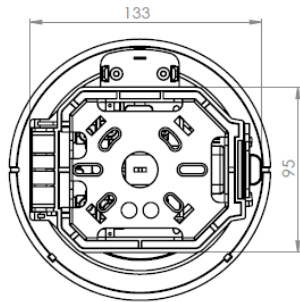
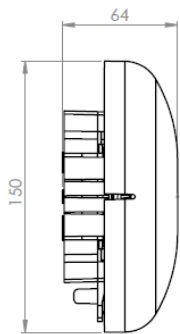
## Specification

	ZT-BELL/6	ZT-BELL/6/D	ZT-BELL/6/WP
	Shallow Base	Deep Base	W/P Base
Rated Voltage (V)	20.4 - 27.6		
Rated Current @ 24V (mA)	12		
Starting Voltage (V)	11		
Sound Output dB(A) @ 1m (max)	96.0		
Temperature Range (C°)	-10 - +50	-25 - +70	
Humidity Range (%)	96 %		
Weight	378 g	497 g	499 g
Gong Colour	Red		
Gong Construction	Aluminium		
IP Rating	IP21C	IP33C	IP56 Cat2*2

\*2 Weatherproofing not approved by LPCB, tested by Intertek

## Description

Shallow Base



Dimensions (mm)

Deep Base

