

IP EYE-SIGHT SERIES

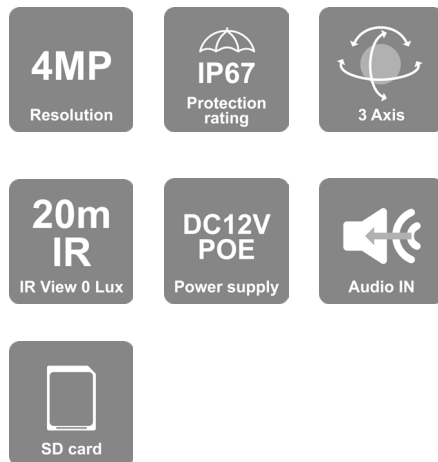
The new Eye-Sight series serves the security professionals seeking a professional line featuring outstanding image quality, full connectivity, and enhanced video analytics functions based on **Artificial Intelligence**.



DAI-340IPEN-28

20M IR 4MP DDA ANALYTICS FIXED LENS DOME/TURRET ANTI-VANDAL CAMERA

Equipped with a 2.8mm fixed lens, this 4MP anti-vandal camera is designed for short-distance surveillance (up to 20m) in indoor and outdoor scenarios. Designed for monitoring high-security areas (such as banks, hotels, or chain stores) and capturing crime in the act, the camera features vandal-proof IK10 protection, making it extremely hard to sabotage. The camera offers broad possibilities for Analytics, from Face Detection to the outstanding DDA Analytics (Detect, Distinguish, Alert), which can perform object recognition and object counting. With various detection rules and triggers, the DAI-340IPEN-28 camera will help end false alarms.



MAIN FEATURES

- 4MP
- EYE-SIGHT V2
- 2592×1520 Resolution
- Wide field of view 100°
- 3D-DNR
- IP67, Ik10
- DDA Analytics
- Audio in + Built-in microphone

ANALYTICS

- General Analytics: Camera Tampering
- AI (Object Recognition): Humans, 2/4 wheel vehicles
DDA Sterile Area
DDA Line Crossing
DDA Object Counting
- AI (Face Detection): 10 Faces per frame
- AI Heatmap



SPECIFICATIONS

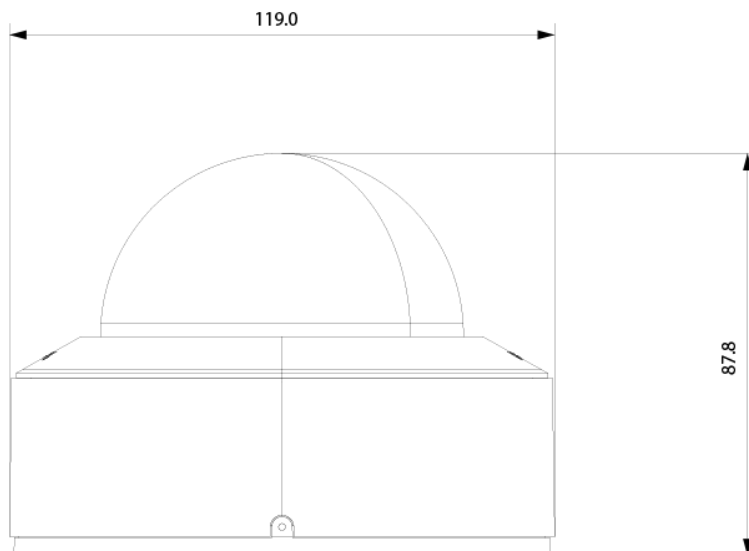
Image Sensor	1/3" CMOS (16:9)
Effective Pixels	2592X1520
Electronic Shutter	1/25s ~ 1/100000s
Frame Rate	1-25/30FPS In Normal Mode. 1-50/60FPS in HFR Mode***
Day & Night	ICR
Min. Illumination	Day: 0.1lux / Night: 0.005lux (@F1.6, AGC on) 0lux with IR on
Audio compression	G.711A/G.711U
Communication	One-way Audio
Image Settings	AWB, AGC Adjustable, Exposure Mode (Auto) Sharpness, Saturation, Brightness & Contrast Adjustable
Image Enhancement	True WDR (120dB), BLC, HLC, ROI
Noise Reduction	3D-DNR
Image Orientation	Mirror/Flip
Privacy Zone	Yes
Motion Detection	Yes
Analytics	General Analytics: Camera Tampering AI (Object Recognition): DDA Sterile Area, DDA Line Crossing, DDA Object Counting AI (Face Detection): 10 Faces per frame AI: Heatmap
Video Compression	H.265S/H.264S*, H.265+/H.264+/H.265/H.264/MJPEG**
Resolution	4MP / 2K / 3MP / 2MP / 1MP / D1 / QVGA / CIF
Multi-Stream	Master Stream: 4MP(2592x1520) / 2K (2560x1440) / 3MP / 2MP / 1MP Substream: 1MP/QVGA/D1/CIF Third Stream: QVGA/D1/CIF (1~30fps)
Bit rate	64Kbps ~ 7Mbps@H.265 / 64Kbps ~ 8Mbps@H.264
Encode Mode	VBR/CBR
Image Quality	Five levels under VBR; Free adjustment under CBR
IR Distance	20m (3 High-Power IR LED)
Lens (Field of View)	2.8mm (100°)

*Main Stream only, **Substream only, ***1080p, no true-WDR

SPECIFICATIONS

Iris	Fixed Iris
Lens Mount	M12 mount
Protection Rate	Waterproof: IP67, Vandal-Proof: IK10
Bracket	3-Axis Bracket
Dimensions	Ø119x87.8mm
Weight (gross)	~650g
Network	RJ45 (+PoE)
Power	DC Socket
Analog Video Output	Technician Port
Audio Connectivity	Built-in Microphone + Audio Input
SD Card	Event/Schedule based Main/Substream recording (Up to 128Gb)
Hard Reset Button	Yes
Alarm	Alarm in + Alarm out
Remote Monitoring	IE Browsing, VMS Software, Provision Cam2 Mobile App
User Access	Supports simultaneous monitoring of up to 3 users with multi-stream real-time transmission
Network Protocol	IPv4, IPv6, TCP, UDP, DHCP, NTP, DDNS, 802.1X, RTSP, Multicast, UPnP, Email, FTP, HTTPS, QoS, P2P
ONVIF	Yes
Ethernet	100Mbps
PoE	Yes
Power Supply	DC12V/~415mA / PoE/~6.8W
Work Environment	-30°C~60°C, 10%~90% Humidity
Junction Box	PR-JB12IP66 - PR-WB-A

DIMENSIONS



ACCESSORIES



PR-JB12IP66



PR-WB-A