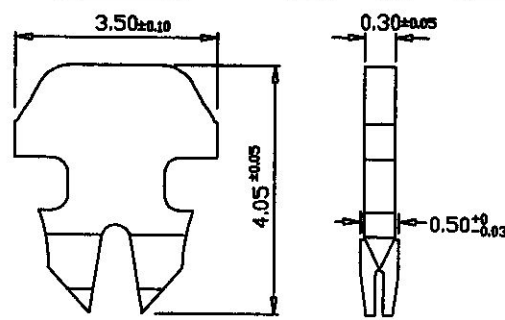
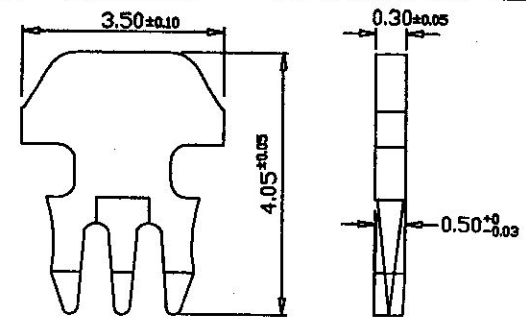


"1" : 2 PRONGS FOR STRANDED WIRE
多芯線用二叉型金片



"2" : 2 PRONGS FOR SOLID WIRE(SS)
單芯線用大拐角型金片



"3" : 3 PRONGS FOR SOLID WIRE(S)
單芯線用三叉型金片

Standard Logo:SCT Special Logo:
 Blank

		產品編號 ITEM NO.				
UL 94V-0	<input type="checkbox"/> P88-01A	<input type="checkbox"/> P88-02A	<input type="checkbox"/> P88-03A	Fu"	<input type="checkbox"/> A	<input type="checkbox"/> B
	<input type="checkbox"/> P88-01B	<input type="checkbox"/> P88-02B	<input type="checkbox"/> P88-03B	6u"	<input type="checkbox"/> A	<input type="checkbox"/> B
	<input type="checkbox"/> P88-01C	<input type="checkbox"/> P88-02C	<input type="checkbox"/> P88-03C	15u"	<input type="checkbox"/> A	<input type="checkbox"/> B
	<input type="checkbox"/> P88-01D	<input type="checkbox"/> P88-02D	<input type="checkbox"/> P88-03D	30u"	<input type="checkbox"/> A	<input type="checkbox"/> B
	<input type="checkbox"/> P88-01E	<input type="checkbox"/> P88-02E	<input type="checkbox"/> P88-03E	50u"	<input type="checkbox"/> A	<input type="checkbox"/> B
UL 94V-2	<input type="checkbox"/> P88-21A	<input type="checkbox"/> P88-22A	<input type="checkbox"/> P88-23A	Fu"	<input type="checkbox"/> A	<input type="checkbox"/> B
	<input type="checkbox"/> P88-21B	<input type="checkbox"/> P88-22B	<input type="checkbox"/> P88-23B	6u"	<input type="checkbox"/> A	<input type="checkbox"/> B
	<input type="checkbox"/> P88-21C	<input type="checkbox"/> P88-22C	<input type="checkbox"/> P88-23C	15u"	<input type="checkbox"/> A	<input type="checkbox"/> B
	<input type="checkbox"/> P88-21D	<input type="checkbox"/> P88-22D	<input type="checkbox"/> P88-23D	30u"	<input type="checkbox"/> A	<input type="checkbox"/> B
	<input type="checkbox"/> P88-21E	<input type="checkbox"/> P88-22E	<input type="checkbox"/> P88-23E	50u"	<input type="checkbox"/> A	<input type="checkbox"/> B

P88 B C D E A

金片材質(Phosphor bronze, bronze)
鍍金厚度Gold plating(A, B, C, D, E)
金片型式Contacts type(1, 2, 3)
塑膠材質Housing Material(0, 2)
Logo(SCT, other or blank)



世全科技(深圳)有限公司 Shih-Chuan Technology(ShenZhen)Co., Ltd.			
2006年版		UNIT: m/m	
TITLE	MP8P8C		
APPROVE	許春長	DESIGN	吳愛玲
DATE	2006.4.15	F. NO.	P88
		REV	A