



FP3/GR-Issue 01

FP3 Emergency Door Release. Patent Pending.

Features

Glass break or plastic resettable options. Mounts onto its own surface mount box or any UK standard back box with a depth of at least 20mm. Also fits many European back boxes.
Unique testing system. Optional bright LED status signal along with a visible change in operating face.

Operating force conforms to EN54-1/2001 for manual call points.

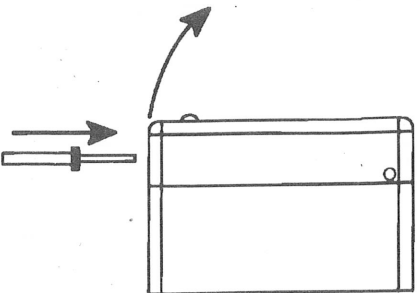
CAR Security

125, Pasture Road, Moreton, Wirral UK CH46 4TH

Tel: +44(0) 151 606 9595

1.

Front Cover Removal



Push the square end of the key into the cover release slot; at the same time tilt the front cover up as indicated

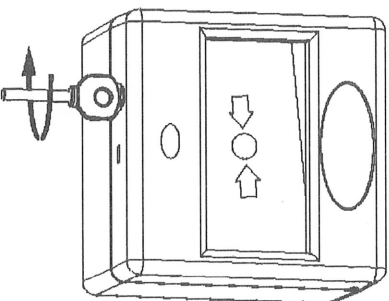
4.

Technical Specifications

Operating Element	Non-resettable element (glass) or Resettable element (plastic)
Switch Type	Single or double pole change over switch
Operating Voltage	Nominally 12-24 volts D.C
Contact Rating	12A 125/250-VAC
Optional LED Indication	Red LED with current limiting resistor Selectable 12 or 24 volt
Terminal Type	2.5mm Insertion type, rated 10A/250 VAC
IP Rating	IP44. For internal use only
Temperature Range	-10° C to +55° C
Materials	Case ABS; Operating element Glass or Polycarbonate.

2.

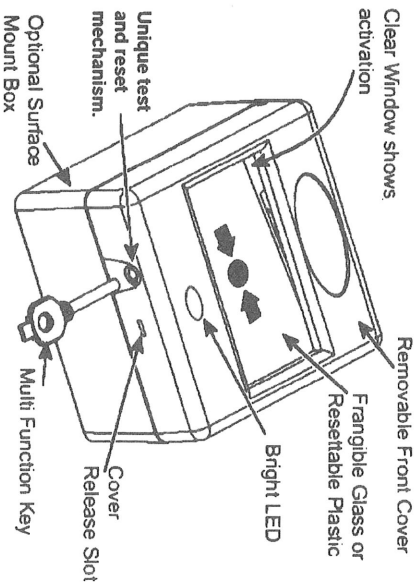
Test & Reset



Put rectangular end in and turn 180° clockwise to test.
Push round end in to reset.

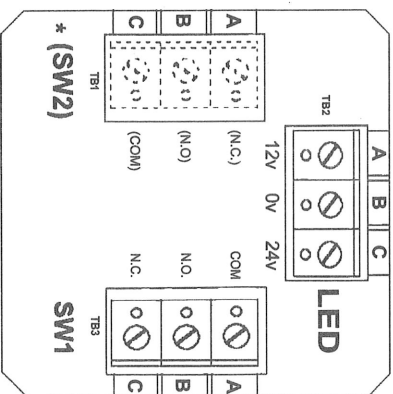
5.

Features



3.

Wiring Options



This unit can be used for a variety of applications.
SW1 can be wired for normally open or normally closed as required. The separate 12-24 v LED can be wired in to indicate activation or non activation as desired.
* SW2 is only present on double pole model.

6.